



**SELF-PROPELLED
CONCRETE PLACING BOOMS**
with
4X4 HYDROSTATIC DRIVE

BW

Series

BW 19

BW 21

BW 24

Striker BW 309



Converts Your “Stationary Pump” to “Mobile Pump”!

BW 21

- Easily Transported, Thanks to The Modular Structure with (Optional) Remote Control System
- Option of Diesel, Petrol or Electric Engines
- The Unique 4 – Wheel Driven Hydraulic Placing Boom in The World!
- Hydrostatic 4 – Wheel Drive!

BW 24

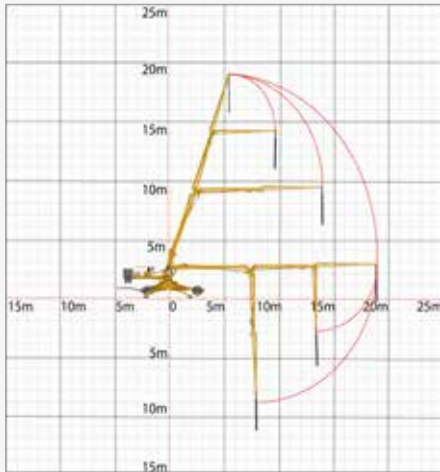
- There is a Wireless Remote Control
- Diesel Engine
- Without Ballast



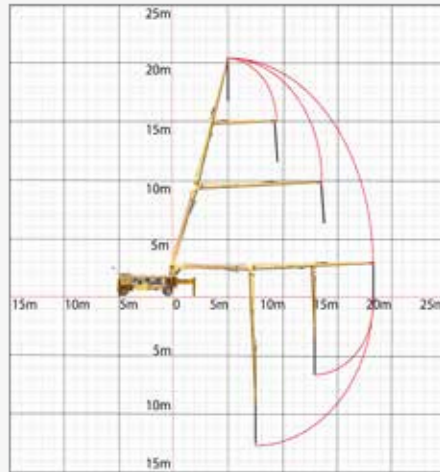
BW Series / Features & Dimensions

BW				
PROPERTIES	BW 19	BW 21	BW 24	Striker BW 309
Diesel Engine Power	24-36 kW	24-45 kW	24-45 kW	20-36 kW
Max. Reach of Height	19 m	21 m	24 m	11.2 m
Max. Horizontal Reach	17 m	19 m	21 m	9 m
360° Slew Motion	Std.	Std.	Std.	Std.
Radio Remote Control	Std.	Std.	Std.	Std.
Proportional Command	Std.	Std.	Std.	Std.
Emergency Hand Pump	Std.	Std.	Std.	Std.
4-Outriggers with Hydraulic Lift Jacks	Std.	Std.	Std.	Std.
Folded Transport Dimensions				
Overall Length	10670 mm	6900 mm	9800 mm	6100 mm
Overall Height	2600 mm	2600 mm	2600 mm	2540 mm
Overall Width	2300 mm	2250 mm	2250 mm	2200 mm
Operating Weight	8500 kg	9000 kg	12200 kg	2200 kg

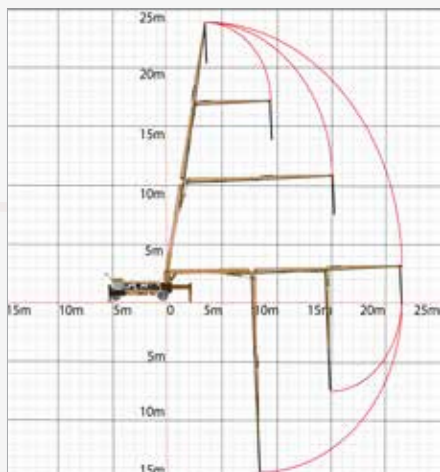
BW 19



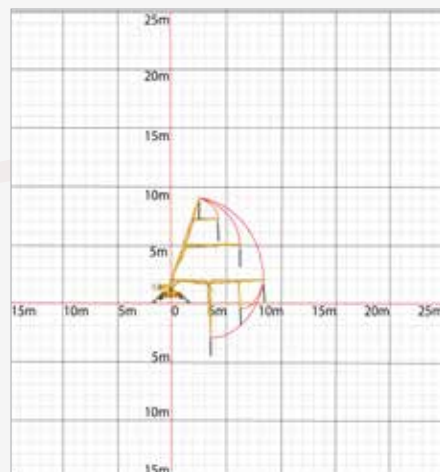
BW 21



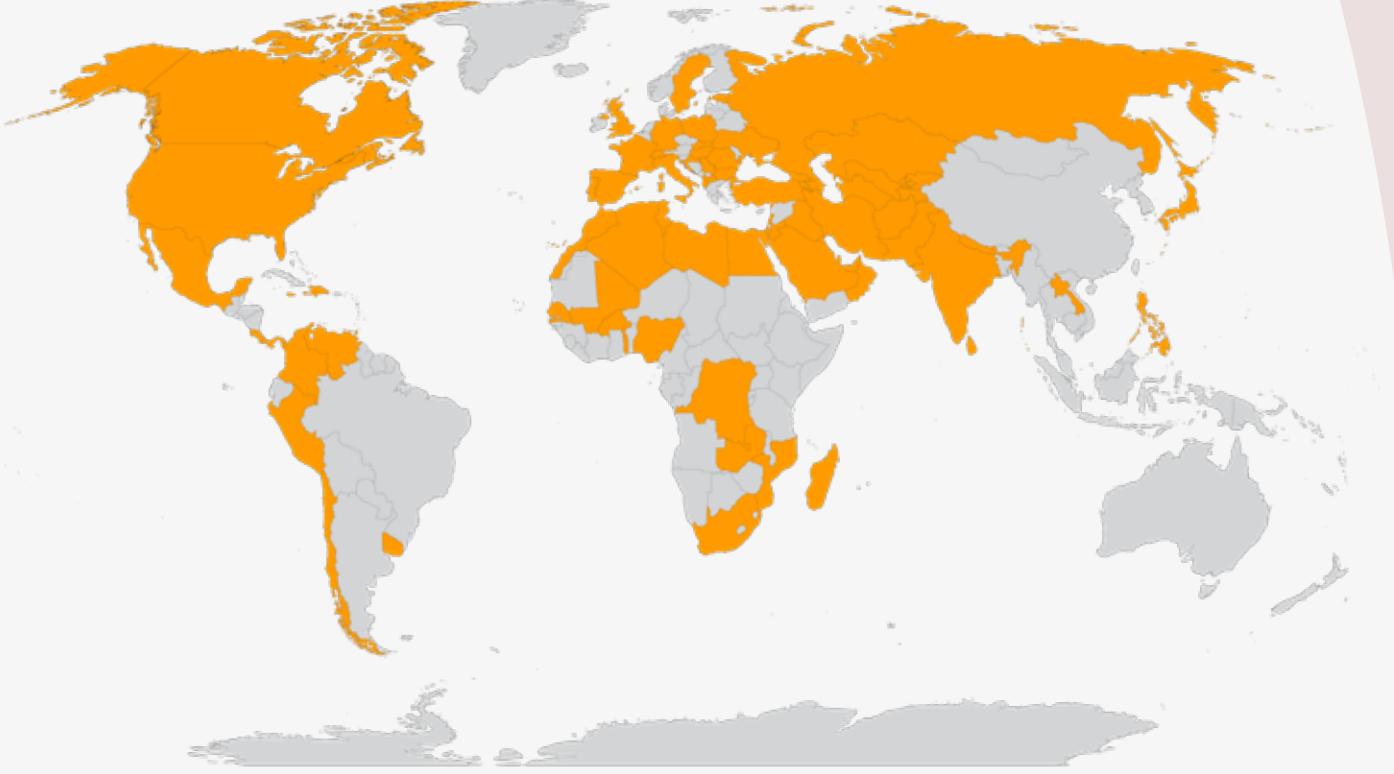
BW 24



BW 309



Atabey; Common language of concrete
placer's in more than 70 countries



/AtabeyBetonMakinalari



/atabeyconstructionequipment



atabey construction equipment



ATABEY CONSTRUCTION EQUIPMENT

Address: Keresteciler San. Sit. 4. Cad. No: 39 Kahramankazan / Ankara - TURKEY
Phone: +90 312 441 11 33 Fax: +90 312 441 58 88
www.atabeymakina.com